

Q001, Q002  
HT313841R0  
2SC1384 (R)

Q601, Q602  
HC10007270  
NE645B

Q603 ~ Q608, Q611, Q612  
QJ03, QJ04, QJ07, QJ08, QJ82  
QE03, QE04, QL01 ~ QL04  
QS01, QS02, QS04,  
QT01, QT03 ~ QT05, QT09  
HT326341S0  
2SC2634 (S)

Q609, Q610  
HT326341T0  
2SC2634 (T)

Q615, Q616, QE01, QE02  
QJ05, QJ06, QJ82, QS11  
QS12, Q803, Q804  
QT02, QT07, QT08, QT10 ~ QT13  
HT326342A0  
2SC2634 (S or R)

Q621, Q622, Q629, Q630  
QJ81, QS05 ~ QS08  
HD20001210  
IS555 or IS2473C

Q623, Q624, Q814  
HD30030090  
WZ177

Q625 ~ Q628  
HD10004020  
0A91

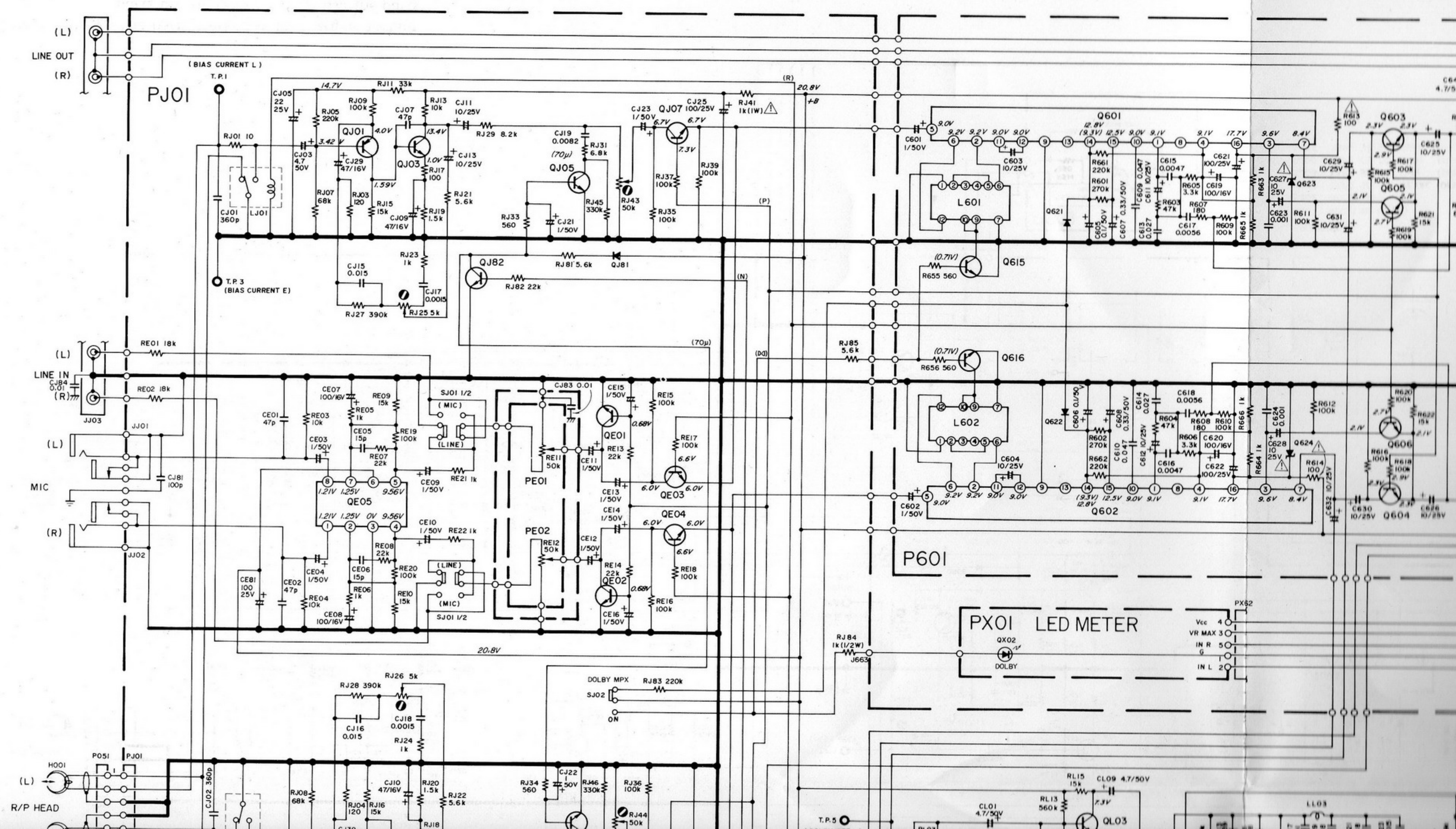
Q631, Q632  
HH00003030  
SDT-04

Q801, Q802, QS10  
HT403131E0  
2SD313 (E)

Q811  
HD20021290  
ISVB

Q812  
HD20026080  
RB151-FA

Q813, Q814  
HD20021290  
IOE1-FA

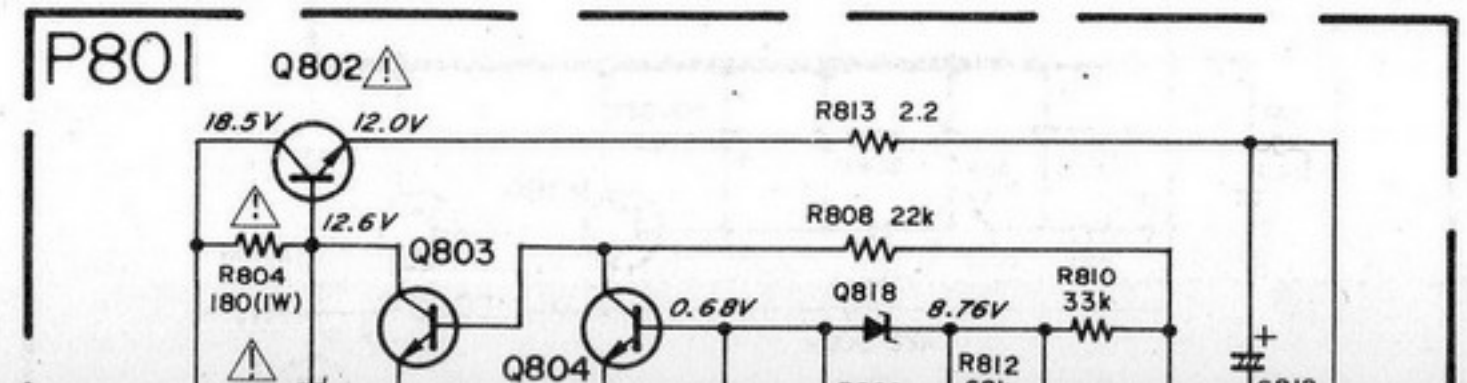
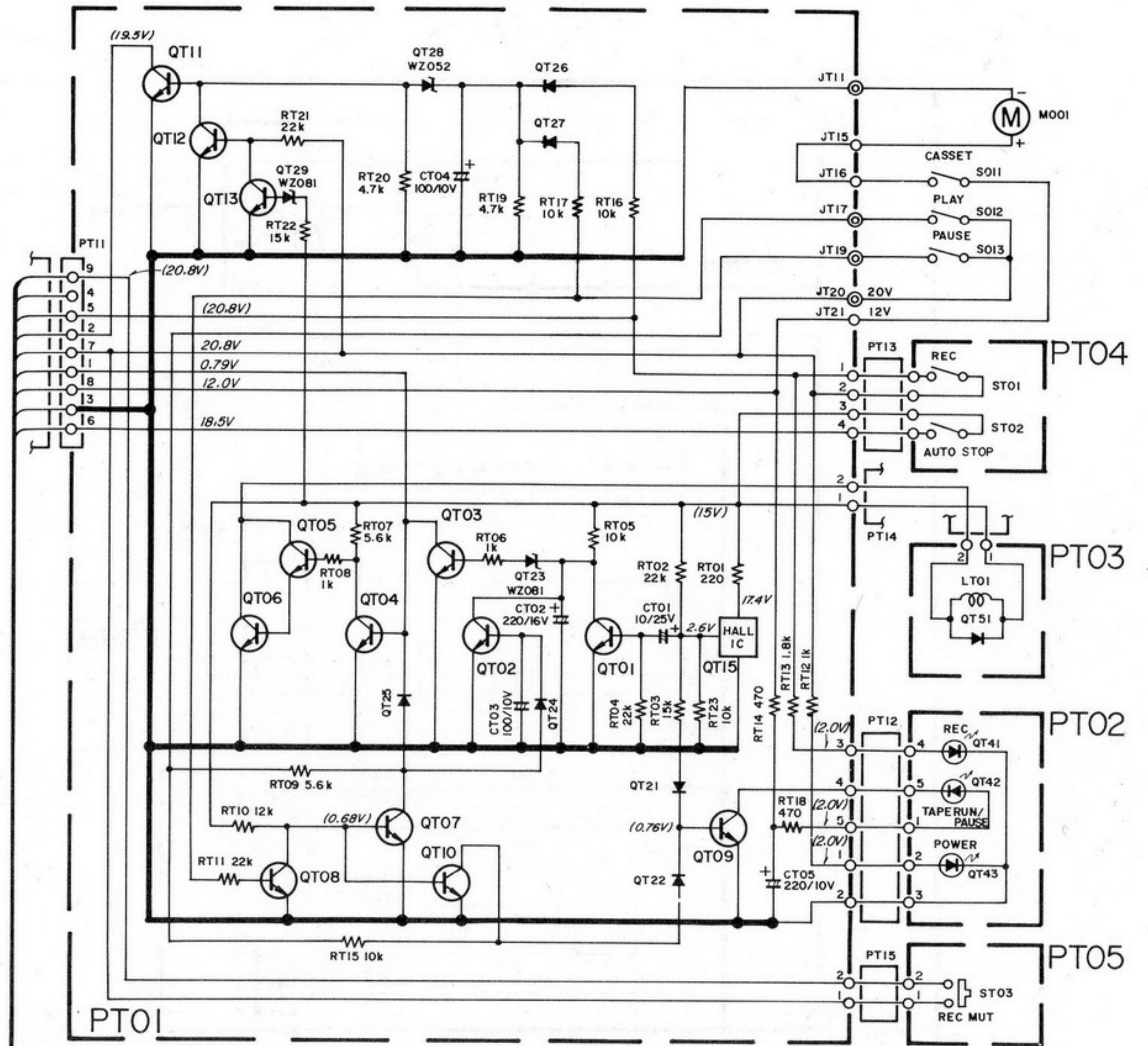
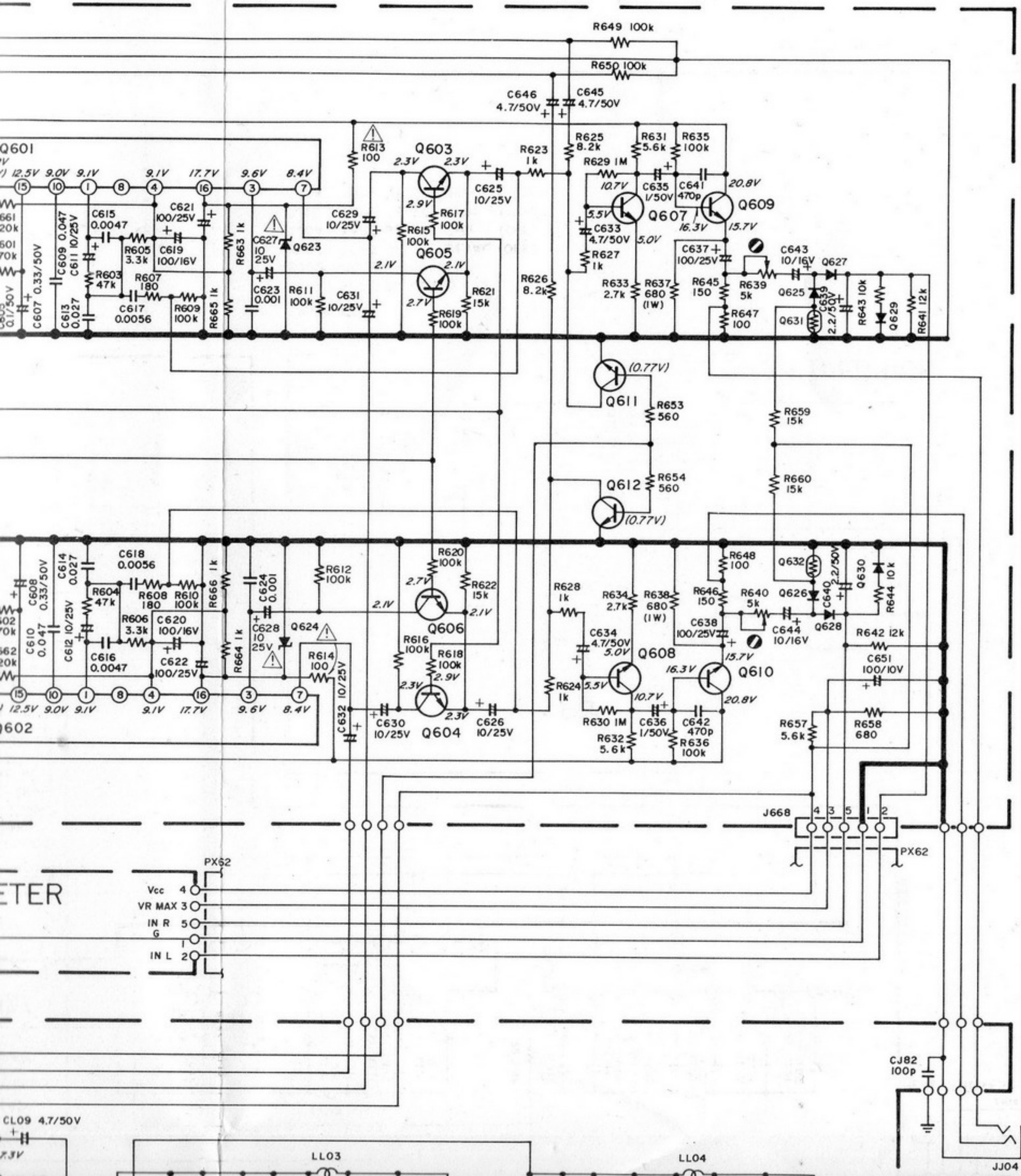




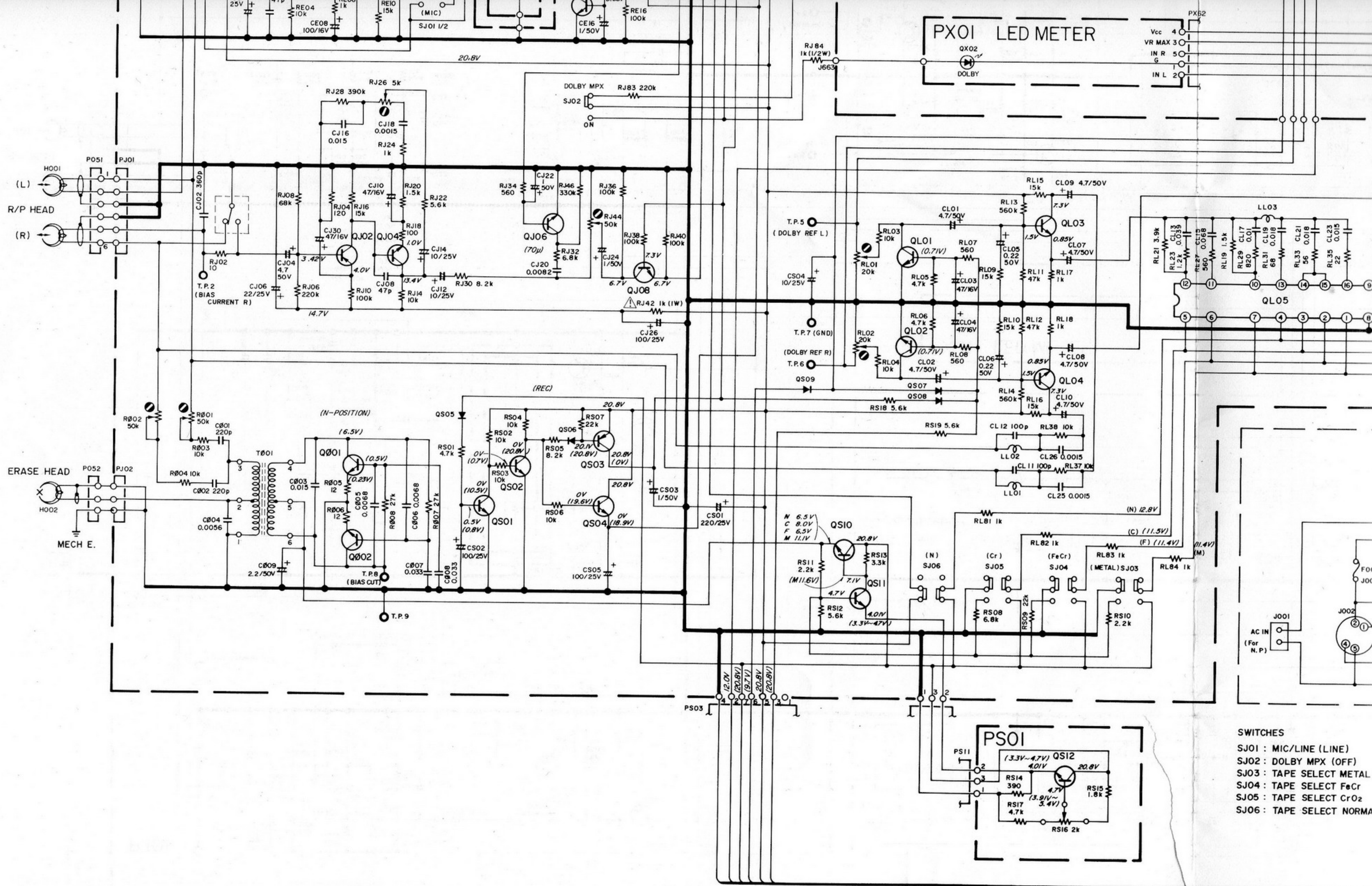
# SCHEMATIC DIAGRAM FOR Model SD5010

- |  |                            |                                |                                     |                             |                             |   |                              |  |                                      |                                   |                                      |  |                               |
|--|----------------------------|--------------------------------|-------------------------------------|-----------------------------|-----------------------------|---|------------------------------|--|--------------------------------------|-----------------------------------|--------------------------------------|--|-------------------------------|
| Q801, Q802, Q810<br>HT403131E0<br>2SD313 (E) | Q811<br>HD20021290<br>ISVB | Q812<br>HD20026080<br>RBI51-FA | Q813, Q817<br>HD20022100<br>IOE1-FA | Q815<br>HD30048090<br>WZ210 | Q816<br>HD30024090<br>WZ120 | Q818, QT23, QT29<br>HD30031090<br>WZ081 | QE05<br>HC10006090<br>NJM387 | QJ01, QJ02, QS03<br>HT107501E0<br>2SA750 (E) | QL05, QL06<br>HC10052050<br>TD62504P | QS09, QT28<br>HD30033090<br>WZ052 | QT06<br>HT406672F0<br>2SD667(C or D) | QT21, QT22, QT24~QT27<br>HD20001210<br>IS2473C | QT41<br>Hi10007320<br>GL-9RP9 |
|--|----------------------------|--------------------------------|-------------------------------------|-----------------------------|-----------------------------|---|------------------------------|--|--------------------------------------|-----------------------------------|--------------------------------------|--|-------------------------------|

- |                               |                               |                              |                                |
|-------------------------------|-------------------------------|------------------------------|--------------------------------|
| QT42<br>Hi10005320<br>GL-9HY9 | QT43<br>Hi10006320<br>GL-9NG9 | QT15<br>HC10024020<br>DN6838 | QX02<br>Hi100015020<br>LN317GP |
|-------------------------------|-------------------------------|------------------------------|--------------------------------|





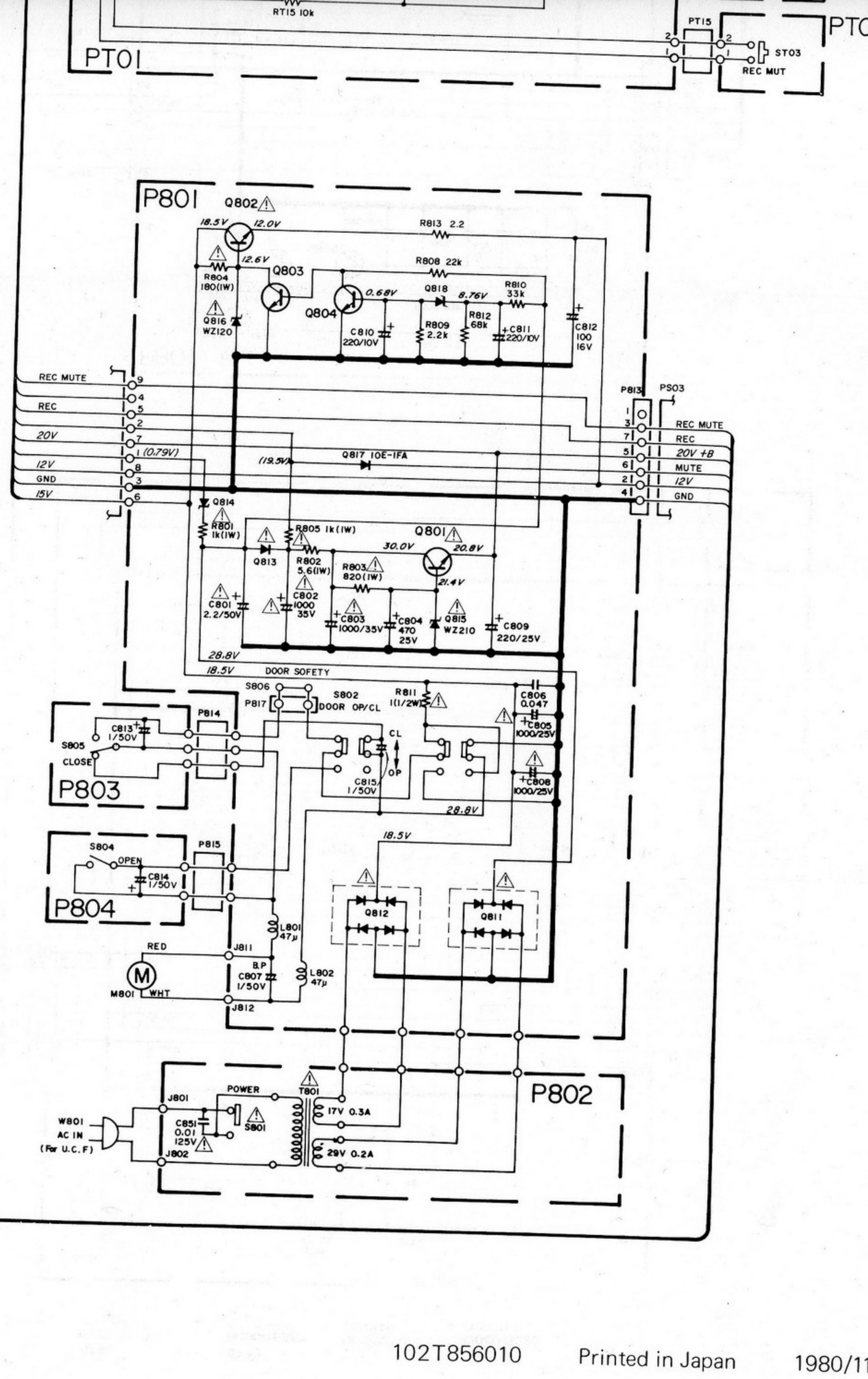
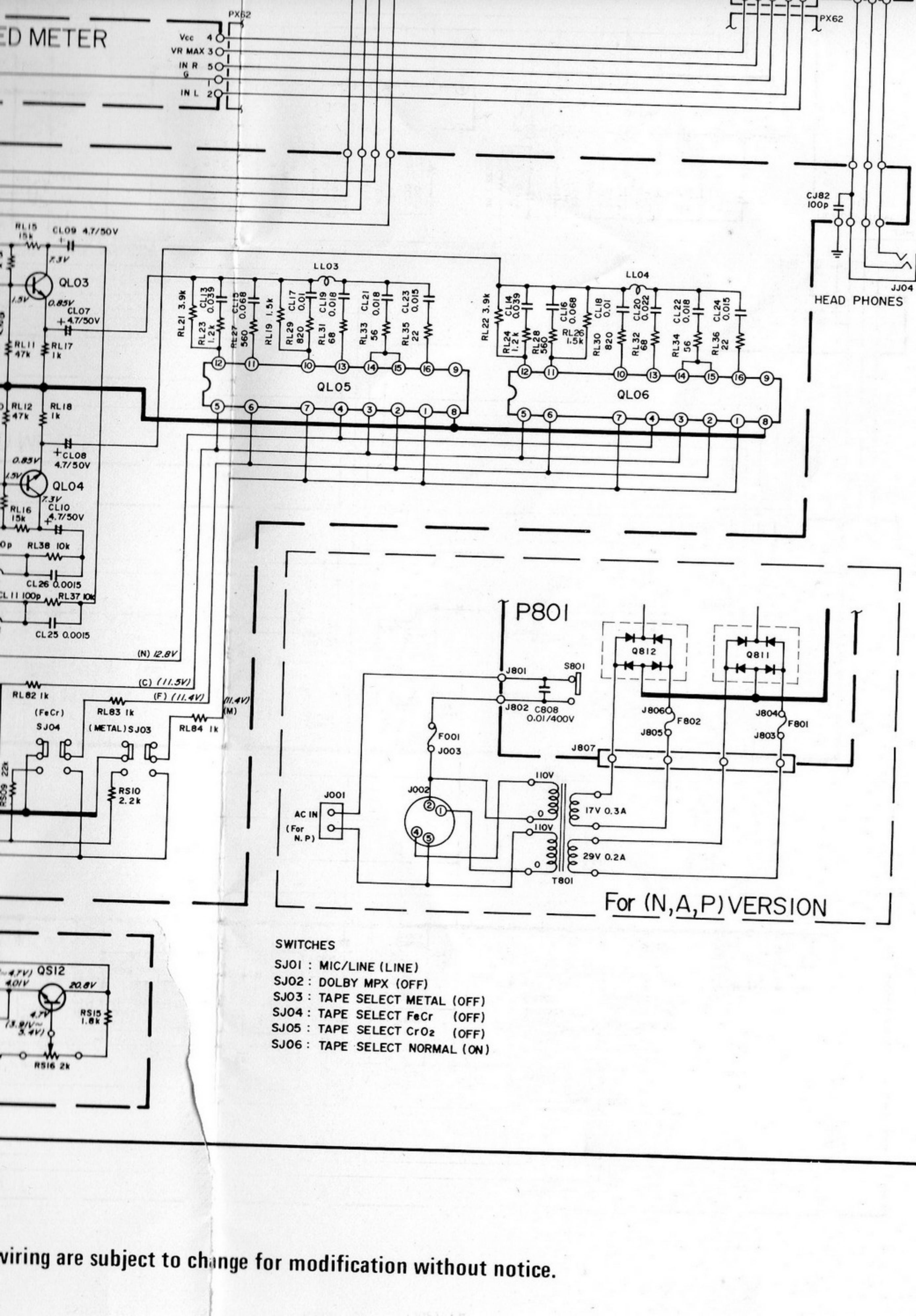


- SWITCHES**
- SJ01 : MIC/LINE (LINE)
  - SJ02 : DOLBY MPX (OFF)
  - SJ03 : TAPE SELECT METAL
  - SJ04 : TAPE SELECT FeCr
  - SJ05 : TAPE SELECT CrO<sub>2</sub>
  - SJ06 : TAPE SELECT NORMA

Note on safety: The parts marked with  $\triangle$  are important parts on the safety. Please use the parts having the designated parts number without fail.

Components and wiring are subject to change for modification with





Wiring are subject to change for modification without notice.